

THIS DRAWING IS UNPUBLISHED.

RELEASED FOR PUBLICATION

20

© COPYRIGHT 20

ALL RIGHTS RESERVED.

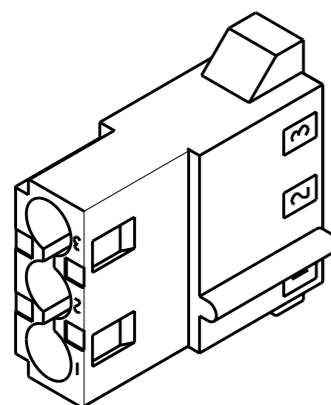
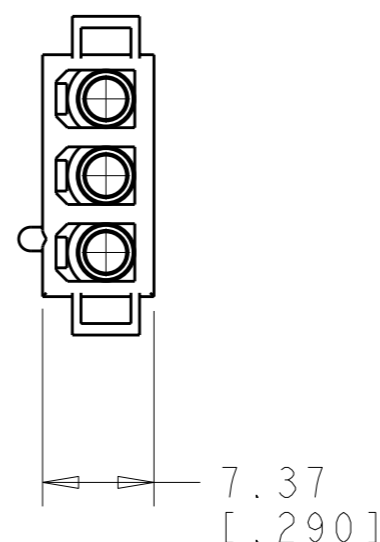
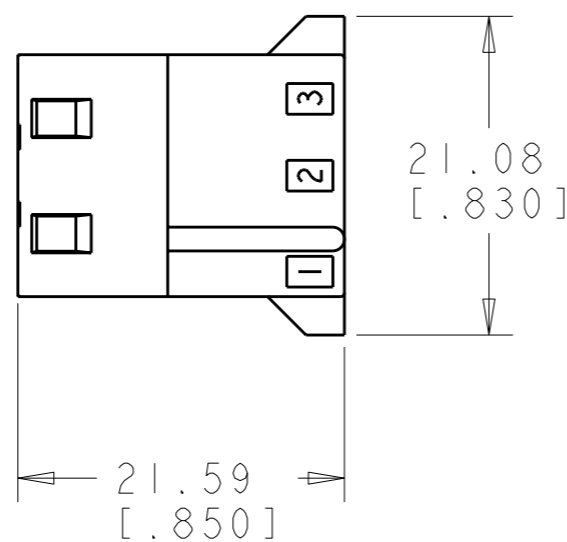
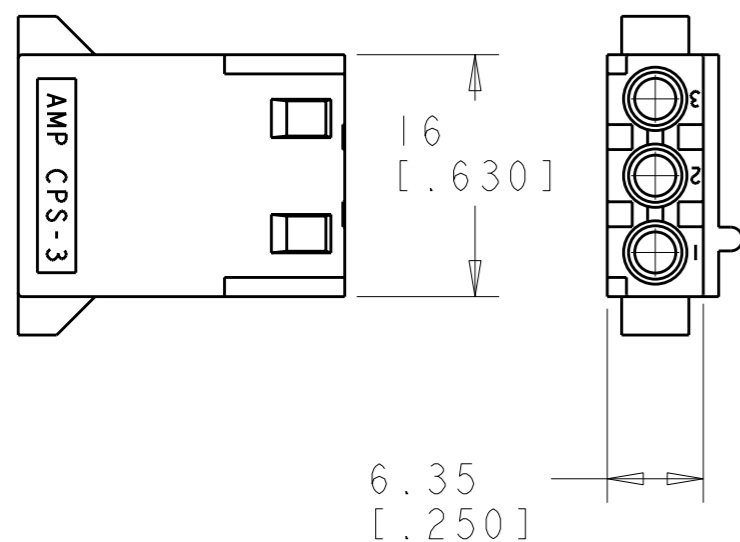
LOC
CM

DIST
00

REVISIONS

P	LTR	DESCRIPTION	DATE	DWN	APVD
	TI	REVISED PER ECO-11-004587	06APR2011	RK	HMR

1. THIS PLUG TO BE USED WITH CAP 480305.
2. TO BE USED WITH APPROPRIATE COMMERCIAL MATE-N-LOK™ SOCKETS.



NYLON	BLACK	1-480303-9
NYLON	RED	1-480303-2
NYLON	NATURAL	1-480303-0
MATERIAL	COLOR	PART NO

METRIC

THIS DRAWING IS A CONTROLLED DOCUMENT.

DWN
K. WHITAKER 23APR2002
CHK
D. COLEY 23APR2002
APVD
D. COLEY 23APR2002

STE TE Connectivity

DIMENSIONS:
mm [INCHES]

TOLERANCES UNLESS OTHERWISE SPECIFIED:

0 PLC	±-
1 PLC	±-
2 PLC	±0.13 [.005]
3 PLC	±-
4 PLC	±-
ANGLES	±0° 30'

PRODUCT SPEC
-

APPLICATION SPEC
-

WEIGHT
-

NAME
3 CIRCUIT MATE-N-LOK™ PLUG

MATERIAL SEE TABLE

FINISH -

CUSTOMER DRAWING

SIZE	CAGE CODE	DRAWING NO	RESTRICTED TO
A3	00779	C-480303	-

SCALE 2:1 SHEET 1 OF 1 REV TI